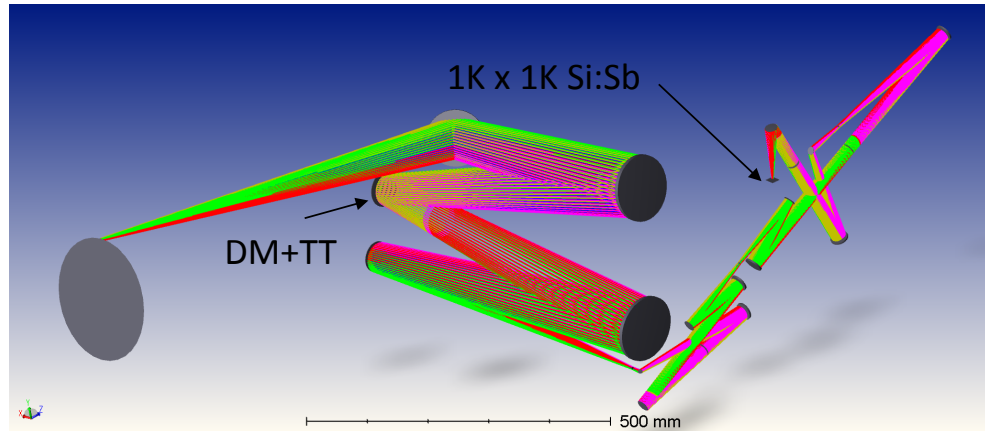
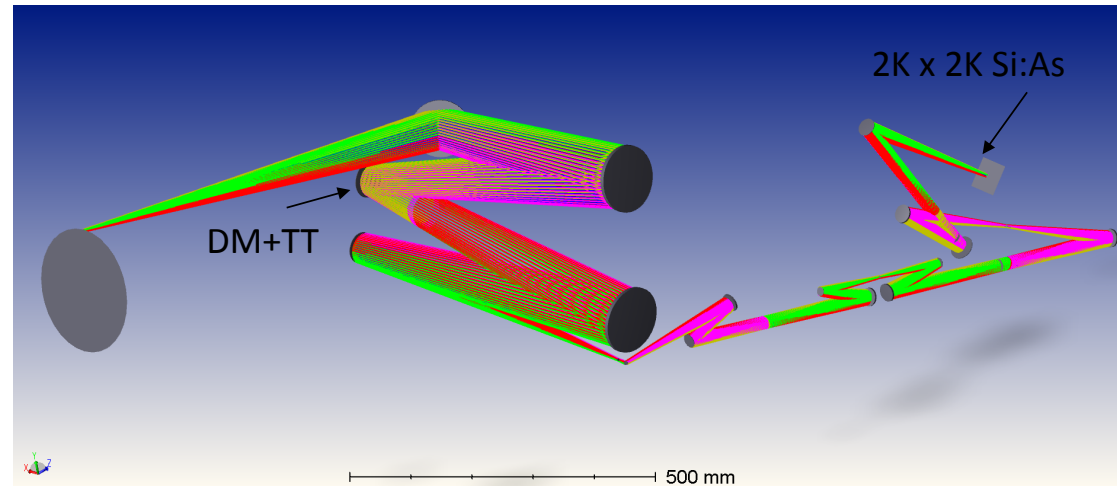


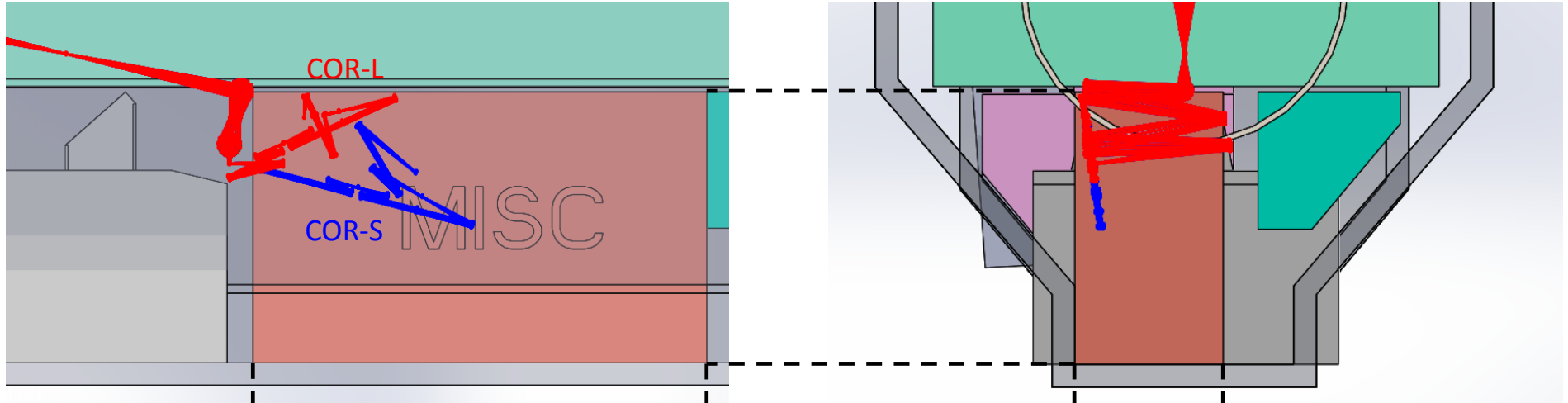
COR-L



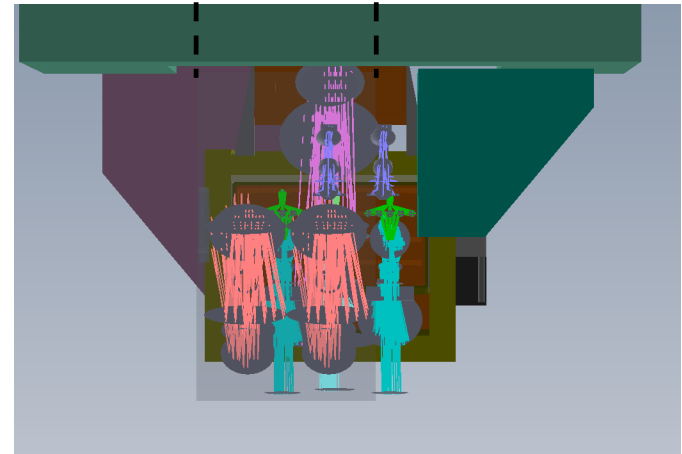
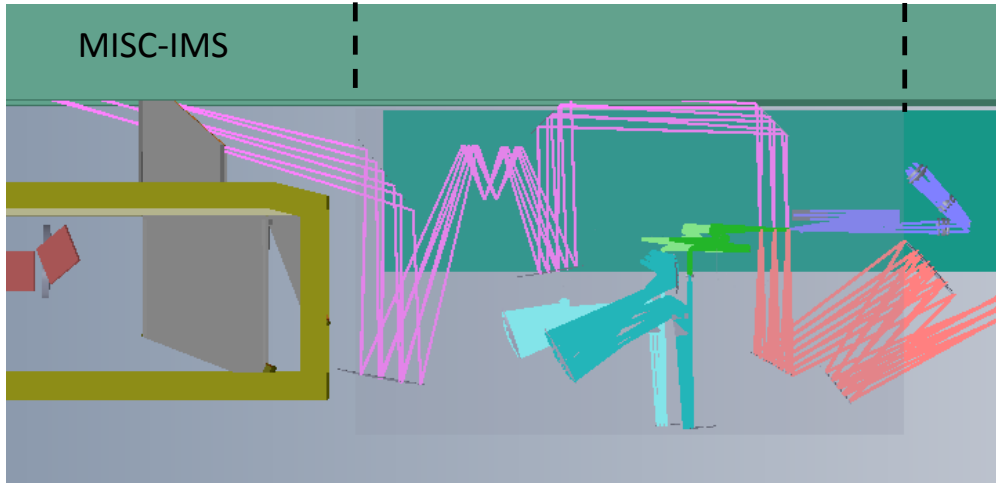
COR-S



MISC-C



MISC-IMS



# Coronagraphic PSF (COR-S, preliminary)

